

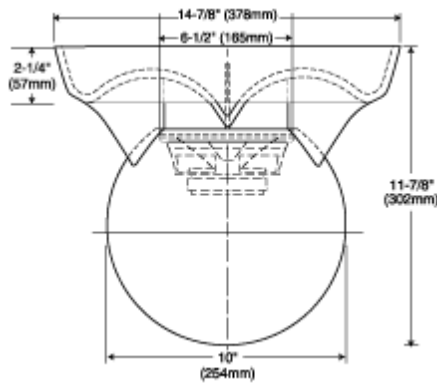
Model Q-6 Compact, Weatherproof Loudspeaker

For full-range music and voice

The Q-6 is Soundsphere's most compact weatherproof loudspeaker, offering omnidirectional full-range music and clear voice announcements for both indoor and outdoor installations. Applications for the Q-6 include health clubs, sports bars, restaurants and a wide variety of outdoor applications.

The Q-6 loudspeaker offers a hemispherical coverage pattern and comes fully assembled and ready to mount using our hanging kit or mounting bracket. Both standard and custom colors are available.

Q-6 Technical Data



MODEL Q-6 APPLICATIONS:

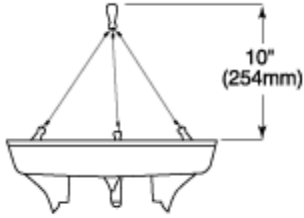
- Health Clubs
- Sports Bars
- Restaurants
- Hotel Lobbies
- Classrooms
- Retail Stores
- Shopping Center Common Areas & Food Courts
- Outdoor applications requiring weatherproof speakers

And anywhere full-range music & voice in a compact omnidirectional speaker are required.

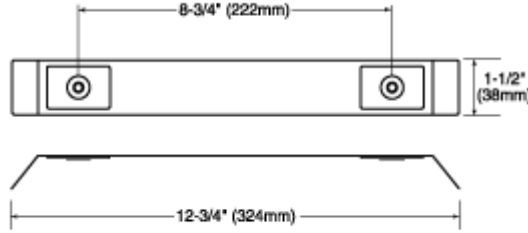
MODEL Q-6 SPECIFICATIONS:

Sensitivity:	88dB SPL; 1 Watt/1 meter
Maximum SPL:	103dB SPL; 35 Watts/1 meter
Power Handling:	35 Watts continuous RMS
Frequency Response:	70Hz to 17kHz \pm 6dB
Coverage:	180° vertical 360° horizontal
Rated Impedance:	4 ohms
Weight:	8 lbs. (3.6 kg)
Size:	Height: 11-7/8" (302mm) Sphere Diameter: 10" (254mm) Reflector Diameter: 14-7/8" (378mm)
Driver:	Coaxial 6-1/2" LF, 1/2" dome HF Constructed of inorganic materials impervious to environmental contaminants (weather, ozone, UV, chlorine, salt, etc.)
Material:	Enclosure and reflector are structural foam polystyrene with rustproof hardware

Model Q-6 Accessories



Hanging Kit – Order No. Q6HK



Mounting Bracket – Order No. Q6MB
for mounting speaker on a flat surface



Beam Clip – Order No. SSBC

Locates a 1/4" hole on a 1/8" to 1/4" beam flange using just a

hammer.



Drop Ceiling Bracket – Order No. Q6DCB

Two twist clips and Q6MB are supplied. Clips twist onto t-bar stringers, and mounting bracket attaches with wing nuts.

Line Matching Transformer — Order No. TX-30

The Model TX-30 is a 30 watt line matching transformer for the Model Q-6 with taps for 25, 50, 70 and 100 constant voltage systems. The TX-30 is designed for factory or field mounting in the Q-6 reflector. Connection to system wiring is via 10" color coded flying leads. Available taps: 25 volt: 30, 15, 7.5, 3.8, 1.9, 1.0, 0.5 watts; 50 volt: 30, 15, 7.5, 3.8, 1.9 watts; 70 volt: 30, 15, 7.5, 3.8 watts; 100 volt: 30, 15, 7.5 watts.



Q-LB Bass Supplement

A bass supplement for Q-6-based systems where extended low-frequency response is desired or required. Ideal for use as a complement to the Q-6 in health clubs, sports bars, restaurants and retail stores requiring high-fidelity music with extended bass response. [Click here for more detailed information.](#)